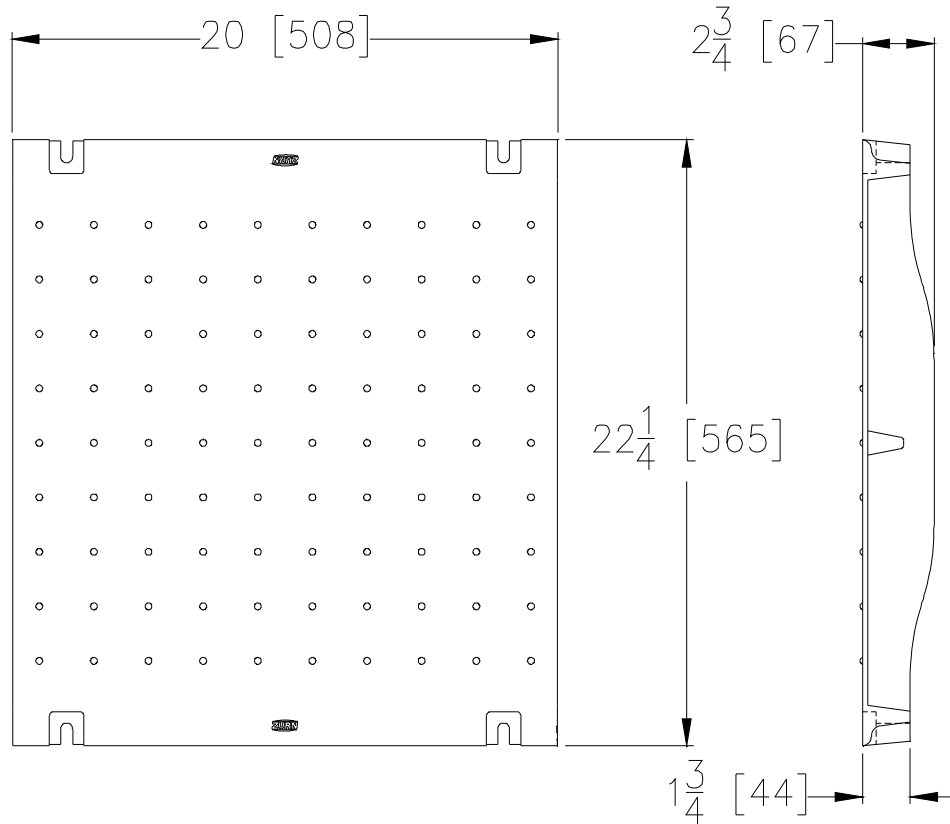




-DCC
Ductile Iron Solid Cover

Please Check ✓	Item No.	Part Number	Item I.D.
	1	64400	P874-18-DCC



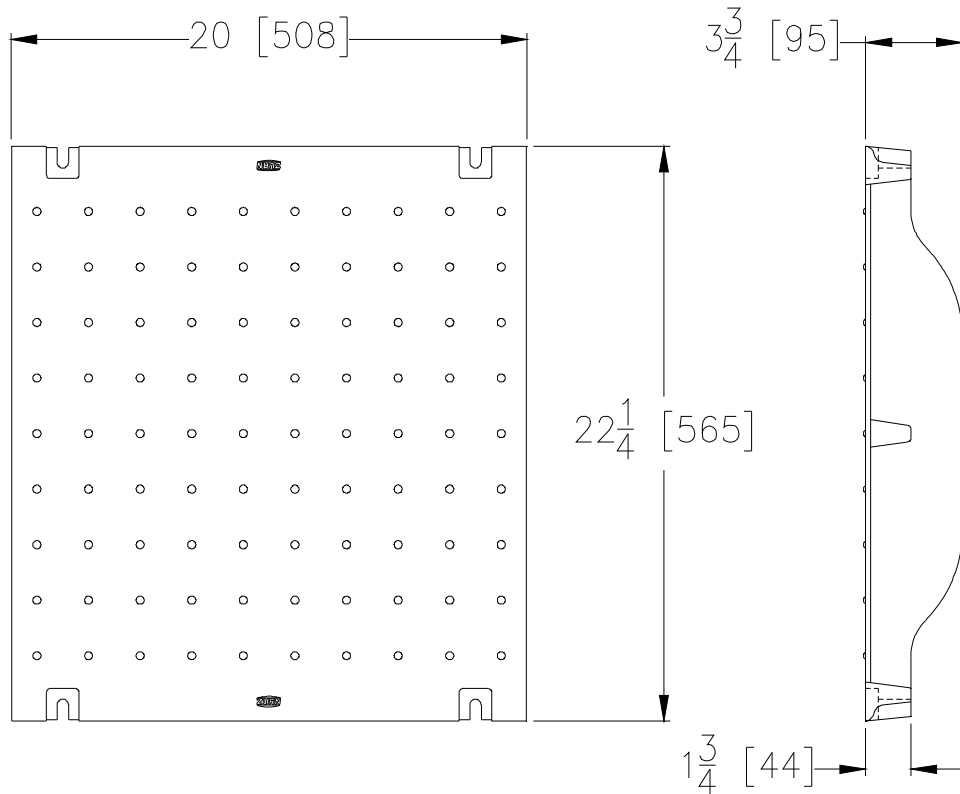
ENGINEERING SPECIFICATION: The Zurn -DCC, Ductile Iron Solid Cover, is 22-1/4" wide x 20" long, weighing 54.1 lbs per linear foot. DIN Rating of Class C, ANSI Rating of Heavy-Duty, ADA compliant and H-20 Load Rated.

DCC - Ductile Iron Solid Cover	
Material:	Ductile Iron
DIN Rating:	Class C
Weight:	54.1 lbs/ft.
Open Area:	N/A
ANSI Rating:	Heavy-Duty
Application:	Heavy Vehicle, Truck & Conduit
Width/Hole Size:	N/A
ADA:	Yes
H-20:	Yes
FAA:	No



-DCF
Ductile Iron Slويد Cover

Please Check ✓	Item No.	Part Number	Item I.D.
	2	64399	P874-18-DCF



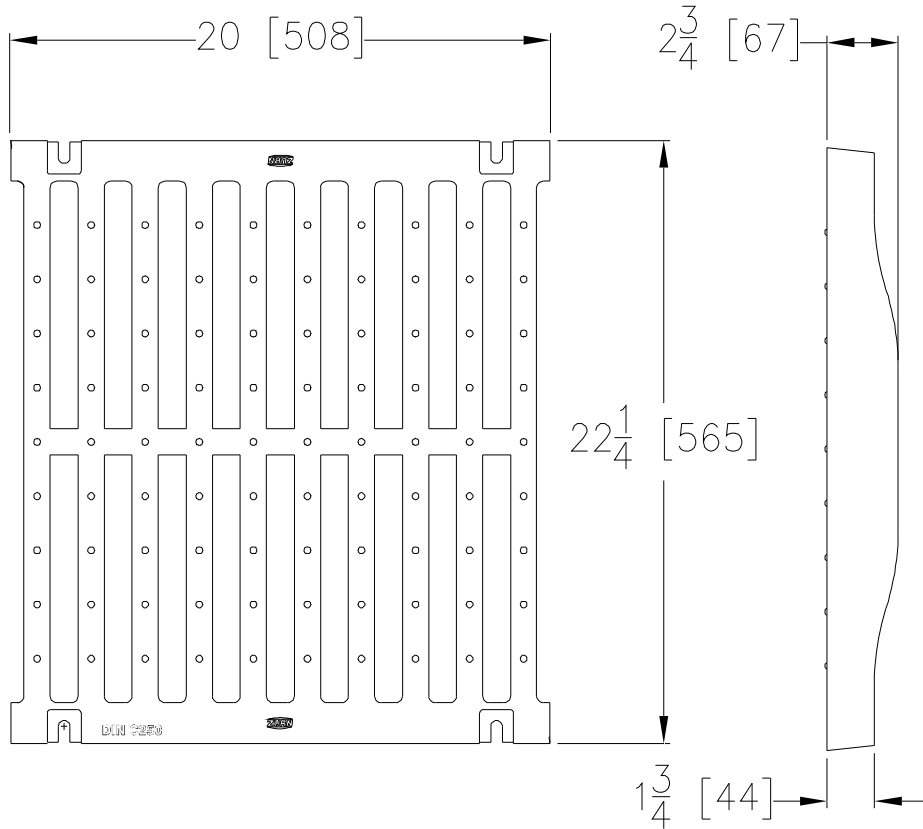
ENGINEERING SPECIFICATION: The Zurn -DCF, Ductile Iron Solid Cover, is 22-1/4" wide x 20" long, weighing 80.2 lbs per linear foot. DIN Rating of Class F, ANSI Rating of Special-Duty, ADA compliant, H-20 Load Rated and and FAA Load Rated.

DCF - Ductile Iron Solid Cover	
Material:	Ductile Iron
DIN Rating:	Class F
Weight:	80.2 lbs/ft.
Open Area:	N/A
ANSI Rating:	Special-Duty
Application:	Airports, Extreme Loading
Slot Width/Hole Size:	N/A
ADA:	Yes
H-20:	Yes
FAA:	Yes



-DGC
Ductile Iron Slotted Grate

Please Check ✓	Item No.	Part Number	Item I.D.
	3	64369	P874-18-DGC



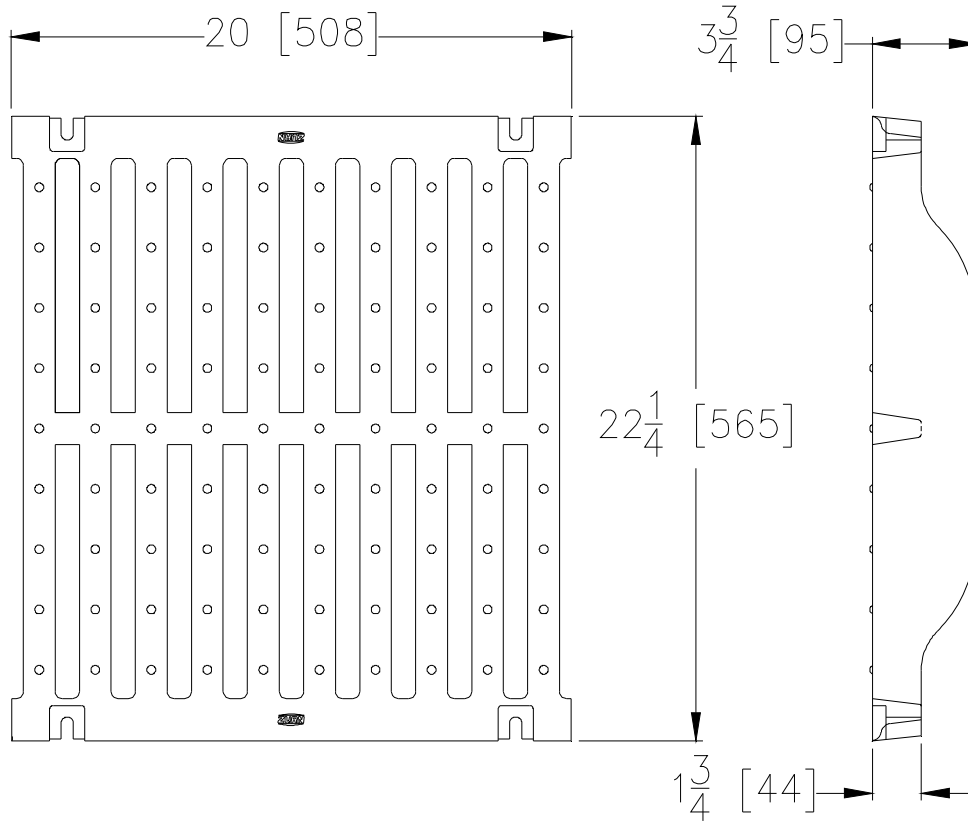
ENGINEERING SPECIFICATION: The Zurn -DGC, Ductile Iron Slotted Grate, is 22-1/4" wide x 20" long, weighing 46.6 lbs per linear foot. The grate has an open area of 111.9 square inches per linear foot, DIN Rating of Class C, ANSI Rating of Heavy-Duty and H-20 Load Rated.

DGC - Ductile Iron Slotted Grate	
Material:	Ductile Iron
DIN Rating:	Class C
Weight:	46.6 lbs/ft.
Open Area:	111.9 in ² /ft
ANSI Rating:	Heavy-Duty
Application:	Truck Traffic & Pneumatic Tire
Slot Width/Hole Size:	1.03"
ADA:	No
H-20:	Yes
FAA:	No



-DGF
Ductile Iron Slotted Grate

Please Check ✓	Item No.	Part Number	Item I.D.
	4	64373	P874-18-DGF



ENGINEERING SPECIFICATION: The Zurn -DGF, Ductile Iron Slotted Grate, is 22-1/4" wide x 20" long, weighing 73.4 lbs per linear foot. The grate has an open area of 94.1 square inches per linear foot, DIN Rating of Class F, ANSI Rating of Special-Duty, H-20 Load Rated and FAA Load Rated.

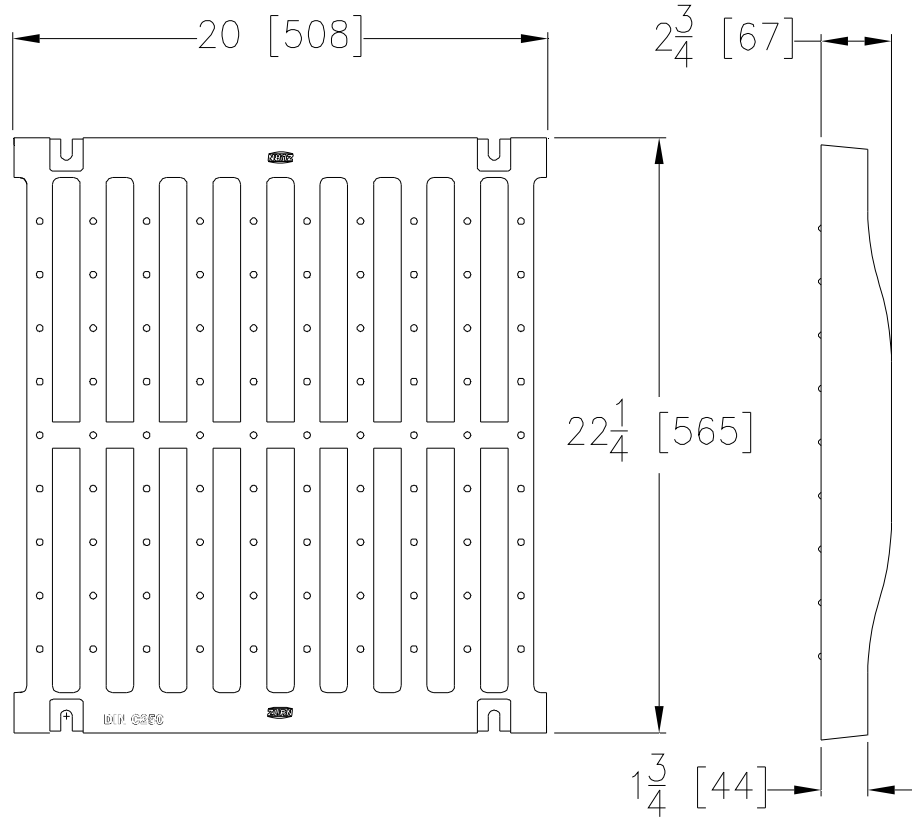
DGF - Ductile Iron Slotted Grate	
Material:	Ductile Iron
DIN Rating:	Class F
Weight:	73.4 lbs/ft.
Open Area:	94.1 in ² /ft
ANSI Rating:	Special-Duty
Application:	Airports, Extreme Loading
Slot Width/Hole Size:	.87"
ADA:	No
H-20:	Yes
FAA:	Yes



-GDC

Galvanized Ductile Iron Slotted Grate

Please Check	Item No.	Part Number	Item I.D.
✓	5	64369	P874-18-GDC



ENGINEERING SPECIFICATION: The Zurn -GDC, Galvanized Ductile Iron Slotted Grate, is 22-1/4" wide x 20" long, weighing 46.6 lbs per linear foot. The grate has an open area of 111.9 square inches per linear foot, DIN Rating of Class C, ANSI Rating of Heavy-Duty and H-20 Load Rated.

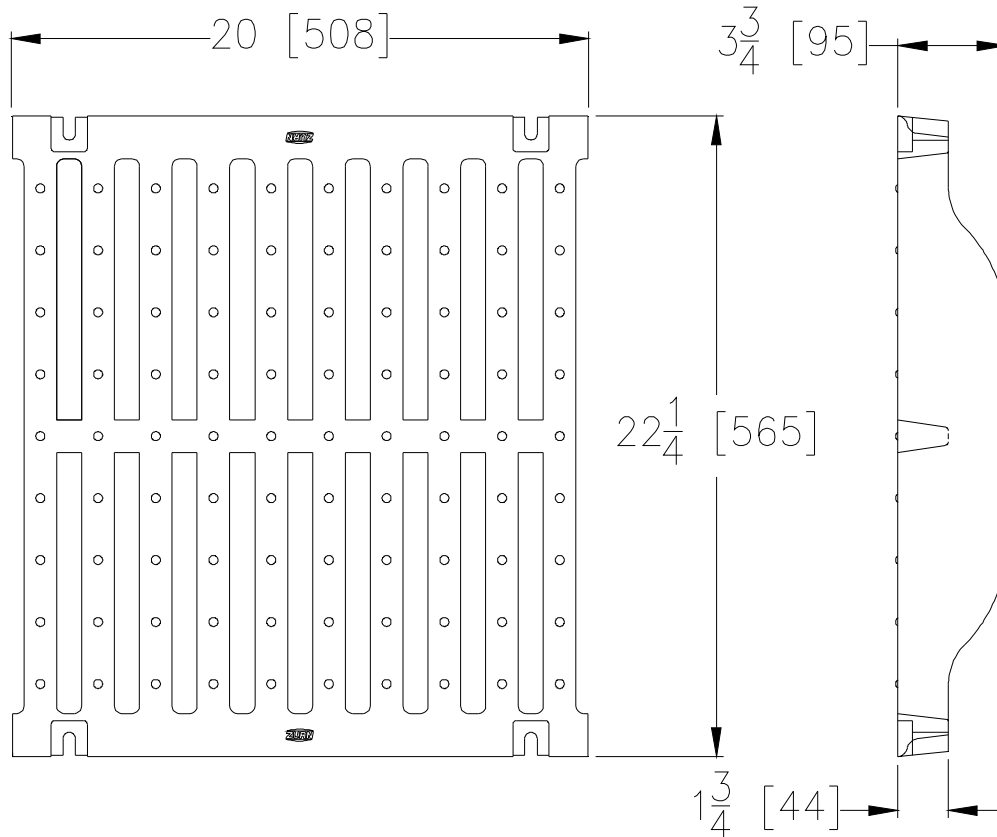
GDC - Galvanized Ductile Iron Slotted Grate	
Material:	Galvanized Ductile Iron
DIN Rating:	Class C
Weight:	46.6 lbs/ft.
Open Area:	111.9 in ² /ft
ANSI Rating:	Heavy-Duty
Application:	Truck Traffic & Pneumatic Tire
Slot Width/Hole Size:	1.03"
ADA:	No
H-20:	Yes
FAA:	No



-GDF

Galvanized Ductile Iron Slotted Grate

Please Check	Item No.	Part Number	Item I.D.
✓	6	64373	P874-18-GDF



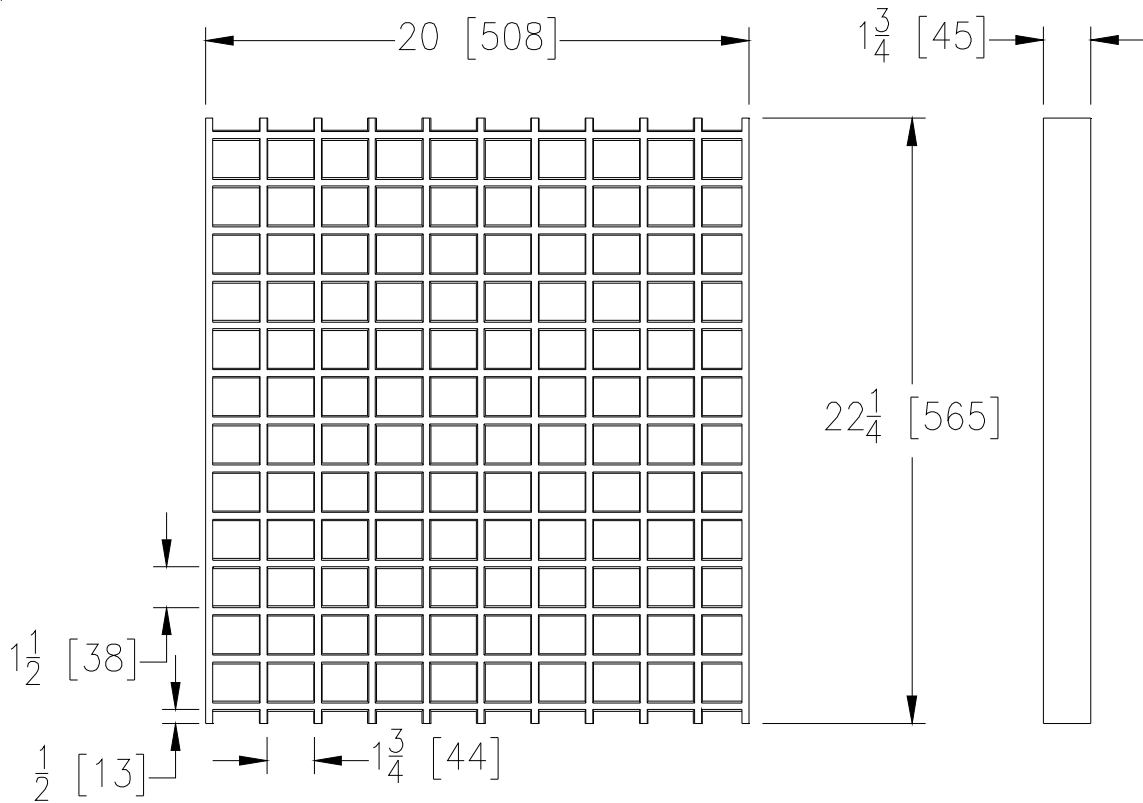
ENGINEERING SPECIFICATION: The Zurn -GDF, Galvanized Ductile Iron Slotted Grate, is 22-1/4" wide x 20" long, weighing 73.4 lbs per linear foot. The grate has an open area of 94.1 square inches per linear foot, DIN Rating of Class F, ANSI Rating of Special-Duty, H-20 Load Rated and FAA Load Rated.

GDF - Galvanized Ductile Iron Slotted Grate	
Material:	Galvanized Ductile Iron
DIN Rating:	Class F
Weight:	73.4 lbs/ft.
Open Area:	94.1 in ² /ft
ANSI Rating:	Special-Duty
Application:	Airports, Extreme Loading
Slot Width/Hole Size:	.87"
ADA:	No
H-20:	Yes
FAA:	Yes



-GG
Fiberglass Grate

Please Check	Item No.	Part Number	Item I.D.
✓	7	64448	P874-18-GG



ENGINEERING SPECIFICATION: The Zurn -GG, Fiberglass Grate, is 22-1/4" wide x 20" long, weighing 8.0 lbs per linear foot. The grate has an open area of 199.5 square inches per linear foot, DIN Rating of Class A and ANSI Rating of Light-Duty.

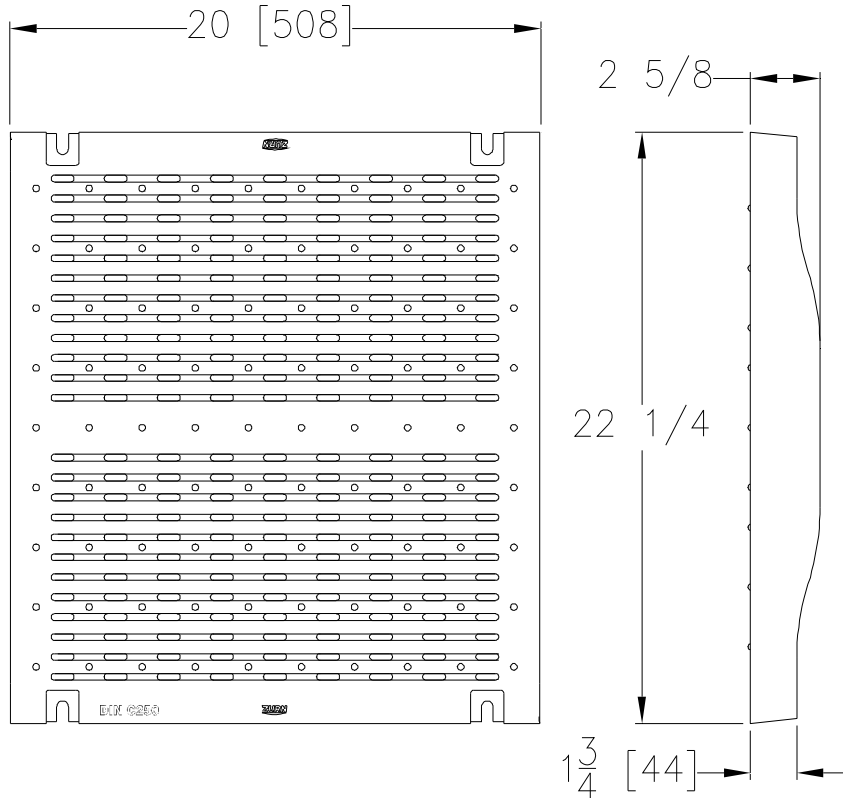
GG - Fiberglass Grate	
Material:	Fiberglass
DIN Rating:	Class A
Weight:	8.00 lbs/ft.
Open Area:	199.5 in ² /ft
ANSI Rating:	Light-Duty
Application:	Pedestrian Traffic
Slot Width/Hole Size:	1.75"
ADA:	No
H-20:	No
FAA:	No



-HPD

Heel-Proof Longitudinal Ductile Iron Grate

Please Check ✓	Item No.	Part Number	Item I.D.
	8	64401	P874-18-HPD



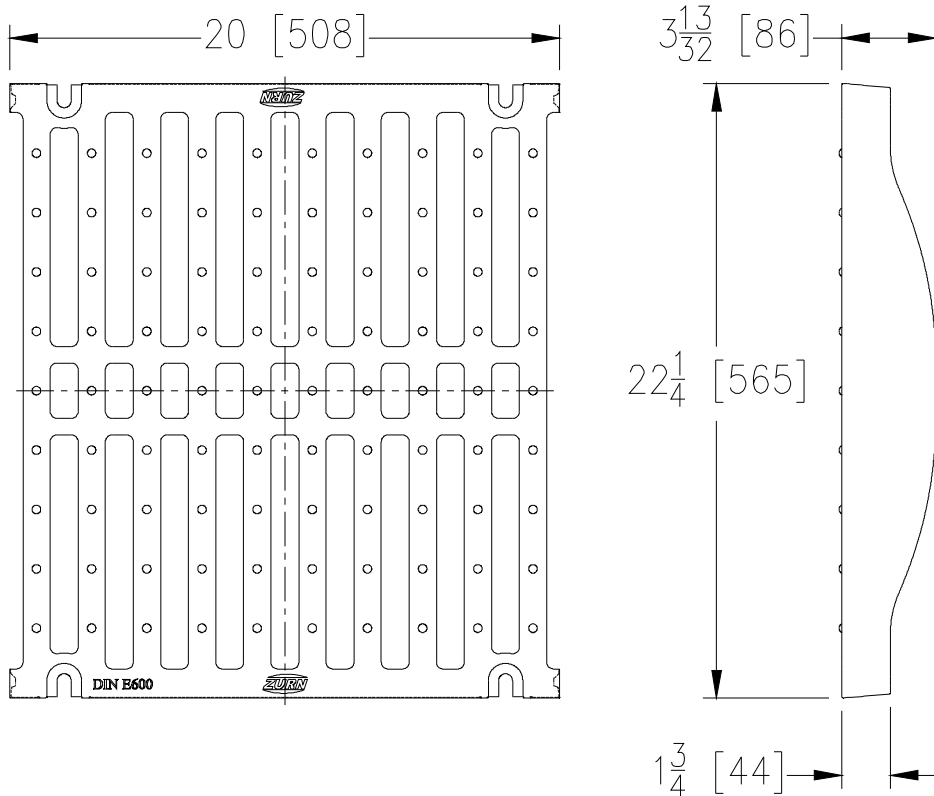
ENGINEERING SPECIFICATION: The Zurn -HPD, Heel-Proof Longitudinal Ductile Iron Grate, is 22-1/4" wide x 20" long, weighing 53.2 lbs per linear foot. The grate has an open area of 31.2 square inches per linear foot, DIN Rating of Class C, ANSI Rating of Heavy-Duty, ADA compliant and H-20 Load Rated.

HPD - Heel-Proof Longitudinal Ductile Iron Grate	
Material:	Ductile Iron
DIN Rating:	Class C
Weight:	53.2 lbs/ft.
Open Area:	31.2 in ² /ft
ANSI Rating:	Heavy-Duty
Application:	Heel-Proof & Pedestrian
Slot Width/Hole Size:	.25"
ADA:	Yes
H-20:	Yes
FAA:	No



-DGE-USA
Ductile Iron Slotted Grate

Please Check ✓	Item No.	Part Number	Item I.D.
	9	94499	P874-18-DGE-USA



ENGINEERING SPECIFICATION: The Zurn -DGE-USA, Ductile Iron Slotted Grate, is 22-1/4" wide x 20" long, weighing 50.2 lbs per linear foot. The grate has an open area of 111.4 square inches per linear foot, DIN Rating of Class E, ANSI Rating of Special-Duty, H-20 Load Rated and FAA Load Rated.

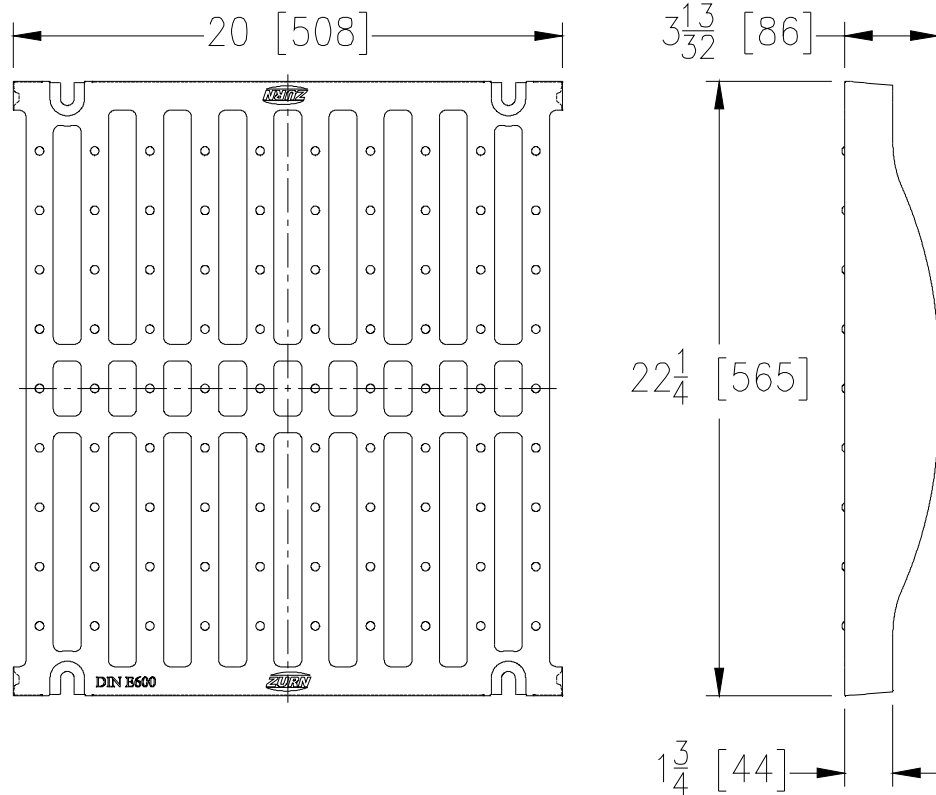
DGE-USA - Ductile Iron Slotted Grate	
Material:	Ductile Iron
DIN Rating:	Class E
Weight:	50.2 lbs/ft.
Open Area:	111.4 in ² /ft
ANSI Rating:	Special-Duty
Application:	Airports, Extreme Loading
Slot Width/Hole Size:	1.0"
ADA:	No
H-20:	Yes
FAA:	Yes



-GDE-USA

Galvanized Ductile Iron Sotted Grate

Please Check ✓	Item No.	Part Number	Item I.D.
	10	94499	P874-18-GDE-USA



ENGINEERING SPECIFICATION: The Zurn -GDE, Galvanized Ductile Iron Slotted Grate, is 22-1/4" wide x 20" long, weighing 50.2 lbs per linear foot. The grate has an open area of 111.4 square inches per linear foot, DIN Rating of Class E, ANSI Rating of Special-Duty, H-20 Load Rated and FAA Load Rated.

GDE-USA - Galvanized Ductile Iron Slotted Grate	
Material:	Galvanized Ductile Iron
DIN Rating:	Class E
Weight:	50.2 lbs/ft.
Open Area:	111.4 sq. in ² /ft
ANSI Rating:	Special-Duty
Application:	Airports, Extreme Loading
Slot Width/Hole Size:	1.0"
ADA:	No
H-20:	Yes
FAA:	Yes